

POWER WHEEL®
Model 250 & Model 350 Wheel & Shaft Output Drives

260.925.3200

AuburnGear.com

Model 250 & 350 Wheel Drives

General Specifications

Model 250

Max. Intermittent Output Torque^{1,2}.....250,000 lb-in (28,200 Nm)
 Max. Input Speed².....4,000 RPM
 Approximate Weight.....485 lbs (220 kg)
 Oil Capacity.....140 oz (4100 cc)
 Max. Radial Load (@Pref. Load Center)...36,000 lbs (16,300 kg)

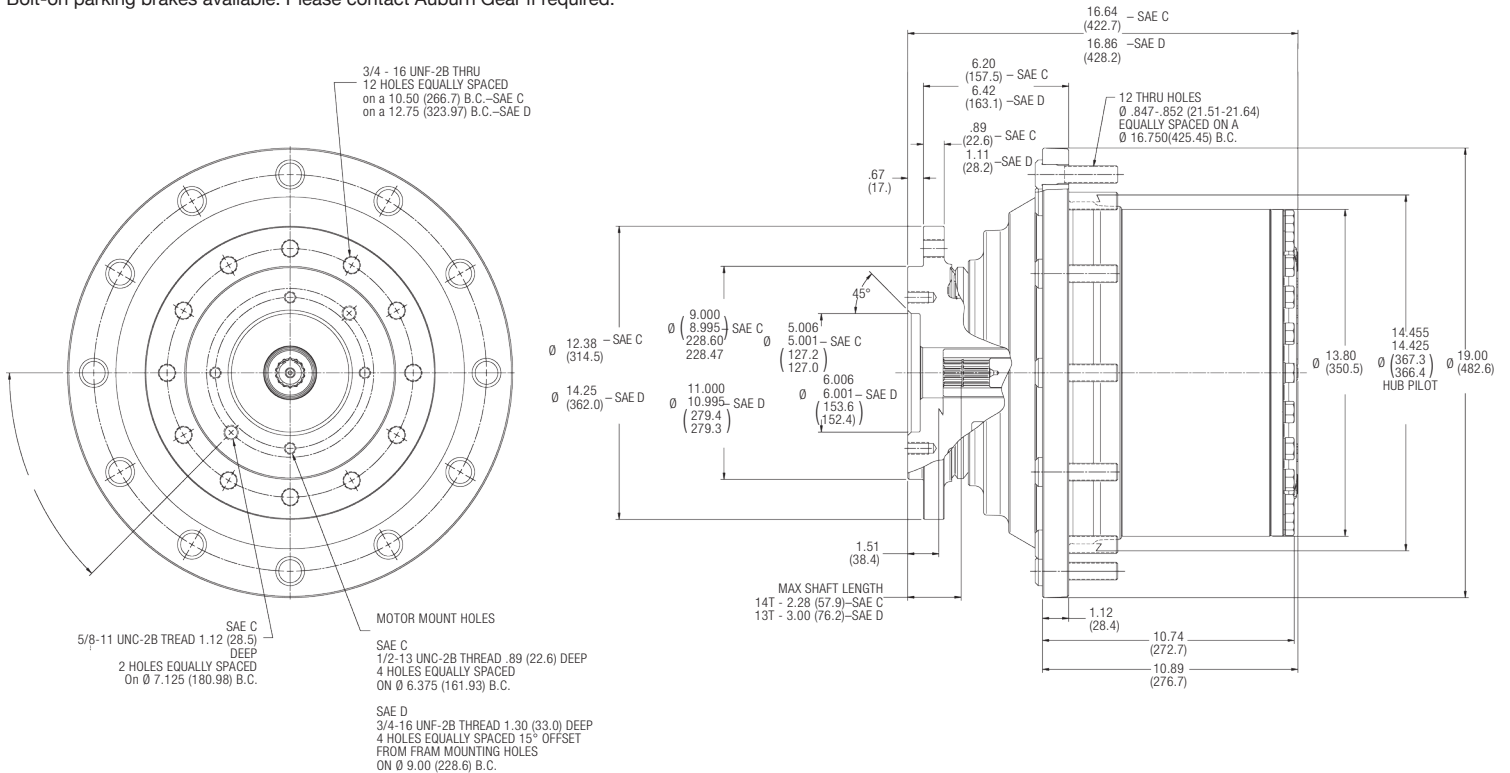
Model 350

Max. Intermittent Output Torque^{1,2}.....350,000 lb-in (39,600 Nm)
 Max. Input Speed².....4,000 RPM
 Approximate Weight.....505 lbs (230 kg)
 Oil Capacity.....130 oz (3800 cc)
 Max. Radial Load (@Pref. Load Center)...36,000 lbs (16,300 kg)

¹ Depending on the duty cycle and the nature of the application, a normal continuous output torque of 1/3 to 1/2 of the maximum intermittent should yield satisfactory Power Wheel® life. Customer testing and application analysis is strongly recommended.

² If application exceeds published limit, contact Auburn Gear.

Bolt-on parking brakes available. Please contact Auburn Gear if required.



MOTOR MOUNTINGS

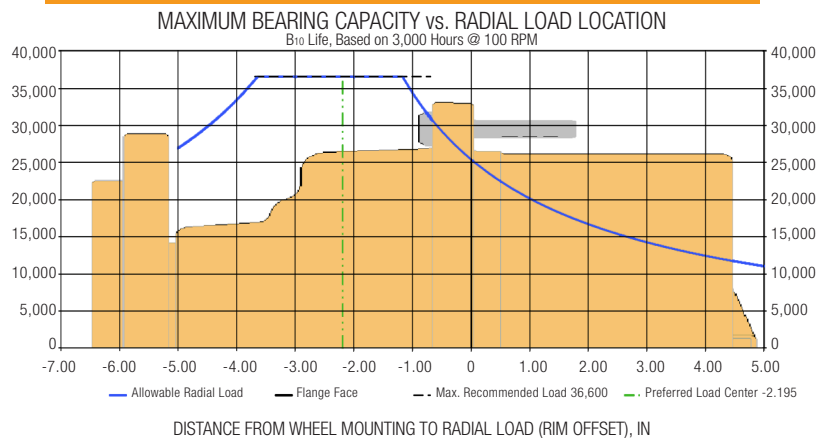
SAE C
with 14T 12/24 input

SAE D
with 13T 8/16 input

RATIOS

- 19.53**
- 25.07**
- 28.94**
- 39.02**
- 44.97**

BEARING CURVE



NOTE: Axial loading is not considered on this graph. Radial load location should be as near to the Preferred Load Center as possible for best bearing life.

Contact Auburn Gear for order code information

Model 250 & 350 Shaft & Spindle Output

General Specifications

Model 250

Max. Intermittent Output Torque^{1,2}.....250,000 lb-in (28,200 Nm)
 Max. Input Speed².....4,000 RPM
 Approximate Weight.....450 lbs (205 kg)
 Oil Capacity (Horizontal).....140 oz (4100 cc)
 Oil Capacity (Vertical).....220 oz (6500 cc)
 Max. Radial Load (@Pref. Load Center)...36,000 lbs (16,300 kg)

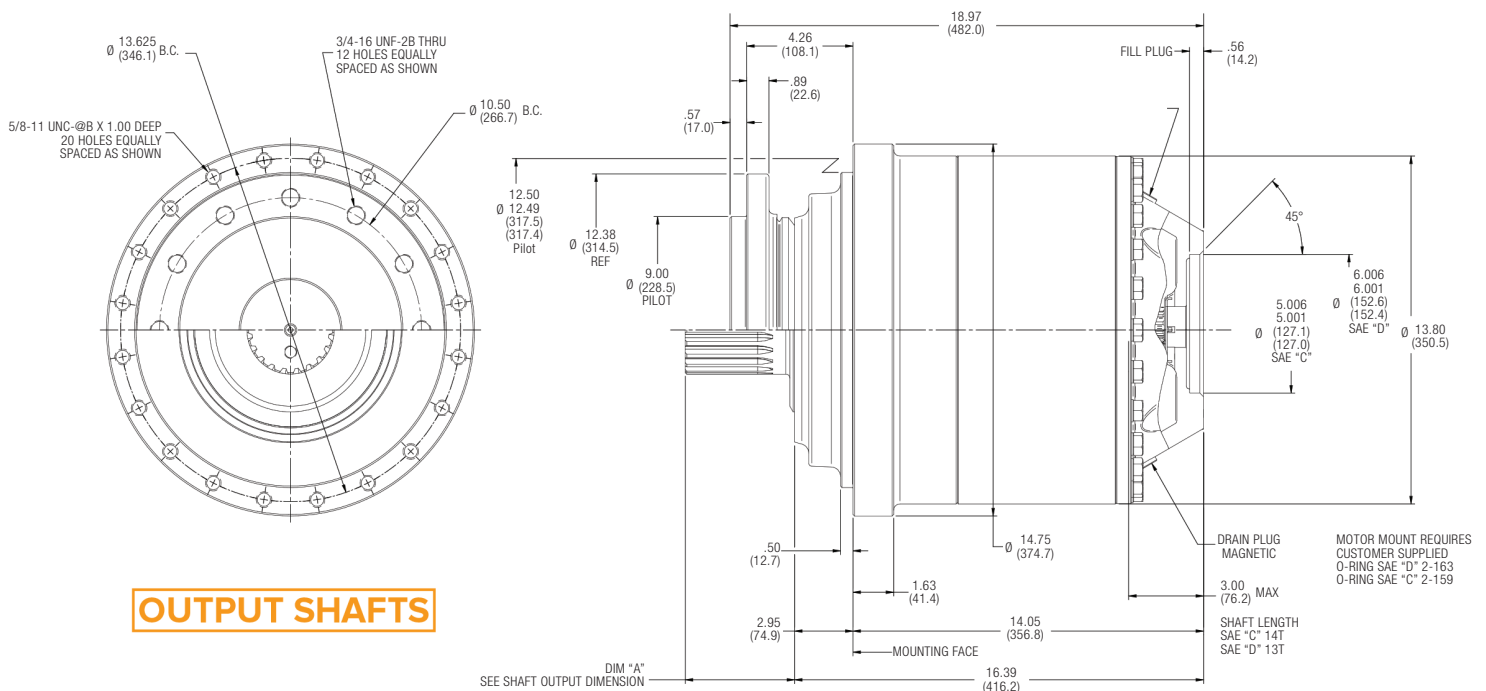
Model 350

Max. Intermittent Output Torque^{1,2}.....350,000 lb-in (39,600 Nm)
 Max. Input Speed².....4,000 RPM
 Approximate Weight.....470 lbs (215 kg)
 Oil Capacity (Horizontal).....130 oz (3800 cc)
 Oil Capacity (Vertical).....210 oz (6200 cc)
 Max. Radial Load (@Pref. Load Center)...36,000 lbs (16,300 kg)

¹ Depending on the duty cycle and the nature of the application, a normal continuous output torque of 1/3 to 1/2 of the maximum intermittent should yield satisfactory Power Wheel® life. Customer testing and application analysis is strongly recommended.

² If application exceeds published limit, contact Auburn Gear.
 Bolt-on parking brakes available. Please contact Auburn Gear if required.

F1 SPINDLE



OUTPUT SHAFTS

MOTOR MOUNTINGS

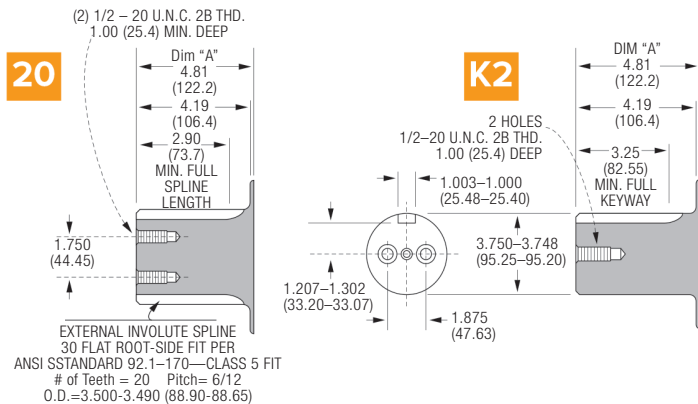
SAE C
with 14T 12/24 input

SAE D
with 13T 8/16 input

RATIOS

- 20.53
- 26.07
- 29.94
- 40.02
- 45.97

OUTPUT SHAFT OPTIONS



Contact Auburn Gear for order code information

POWER WHEEL®

Model 250 & Model 350 Wheel & Shaft Output Drives

Providing Technology, Quality, & Customer Support Around the Globe



PWM250-350-10/15-DIG



260.925.3200
www.AuburnGear.com

400 E. Auburn Drive
Auburn, IN (USA)