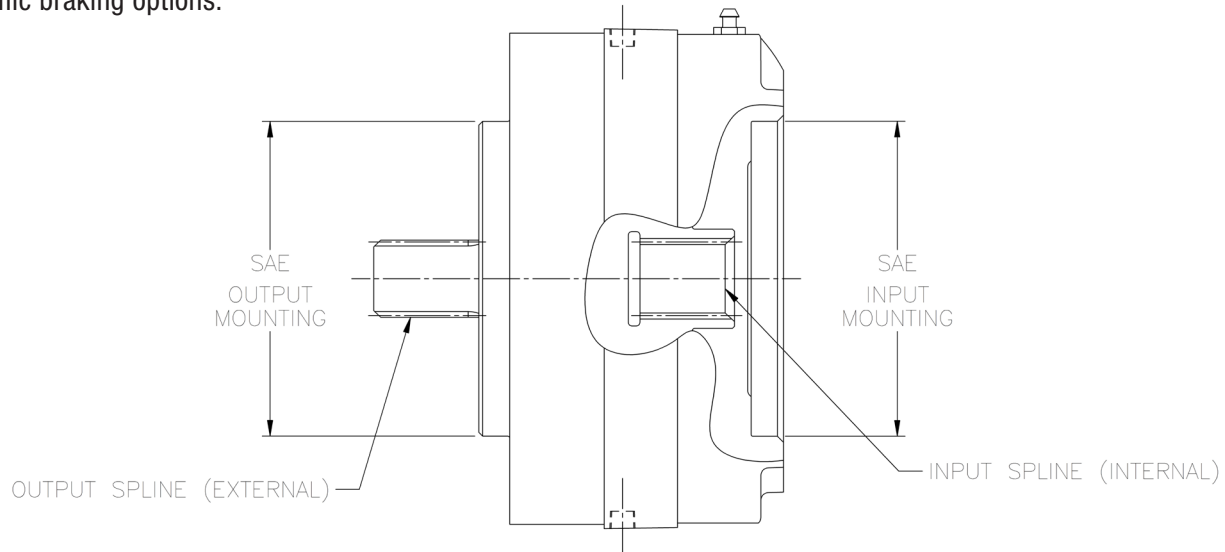


Shaft Output Drives

Bolt On

About Bolt On Park Brakes

Bolt On Park Brakes are the traditional type of static parking brake. They are spring applied and hydraulically released. They are available in all Power Wheel® models and configurations. In certain shaft output and swing drive applications, a static parking and dynamic brake maybe required or specified. See the chart below for bolt on dual purpose – static and dynamic braking options.



Bolt On Park Brakes for Vertical or Horizontal Applications

Models: ALL

Part Number	Order Code	Input Mount	Input Spline	Holding Torque		Minimum Release Pressure		Output Mount	Output Spline
				lbf-in	N-m	PSI	Bar		
957306		SAE B	13T 16/32	3,800	429	230	15.9	SAE B	13T 16/32
957307	A3	SAE B	13T 16/32	2,600	294	170	11.7	SAE B	13T 16/32
957308	A1	SAE C	14T 12/24	5,400	610	150	10.3	SAE C	14T 12/24
957309	A2	SAE C	14T 12/24	7,200	813	190	13.1	SAE C	14T 12/24
957314	A4	SAE C	14T 12/24	9,000	1017	230	15.9	SAE C	14T 12/24
957315		SAE B	13T 16/32	3,200	362	190	13.1	SAE B	13T 16/32
957317		SAE A	1" 6B	2,600	294	180	12.4	SAE B	13T 16/32
957330		SAE D	13T 8/16	8,000	904	250	17.2	SAE C	14T 12/24
957333	A11	SAE B	14T 12/24	4,600	520	230	15.9	SAE B	13T 16/32
957337	A15	SAE B	13T 16/32	3,800	429	240	16.5	SAE B	13T 16/32
957338	A16	SAE A	1" 6B	3,700	418	290	20.0	SAE A	1" 6B
957340	A17	SAE B	13T 16/32	2,800	316	215	14.8	SAE B	13T 16/32

Maximum Release Pressure = 3,000 PSI (206.8 Bar)

Minimum Release Pressure is the pressure required to have a full running clearance within the brake

Dual Purpose Bolt On Static and Dynamic Brakes

Models: ALL

Part No.	Order Code	Input Mount	Input Spline	Static Holding Torque		Minimum Release Pressure		Service Torque		Pressure Required		Output Mount	Output Spline
				lbf-in	N-m	PSI	Bar	lbf-in	N-m	PSI	Bar		
957313	A12	SAE B	13T 16/32	2,800	316	200	13.8	2,800	316	550	37.9	SAE B	13T 16/32
957316	A13	SAE B	13T 16/32	3,800	429	230	15.9	2,800	316	550	37.9	SAE B	13T 16/32
957320	A7	SAE A	1" 6B	1,600	181	135	9.3	1,600	181	600	41.4	SAE B	13T 16/32
957331	A8	SAE A	1" 6B	3,200	362	280	19.3	1,600	181	600	41.4	SAE B	13T 16/32

957313 and 957316, Maximum operating pressure for parking is 700 PSI (48 Bar).

Pressure spikes and surges not to exceed 900 PSI (62 Bar)

957313 and 957316, Maximum operating pressure for service is 550 PSI (38 Bar).

Pressure spikes and surges not to exceed 750 PSI (52 Bar)

957320 and 957331, Maximum operating pressure 3000 PSI (206 Bar).